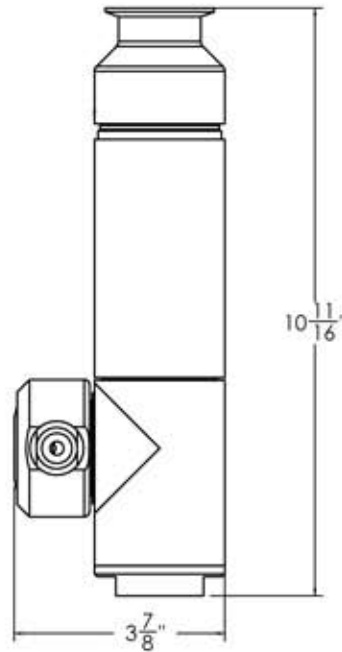
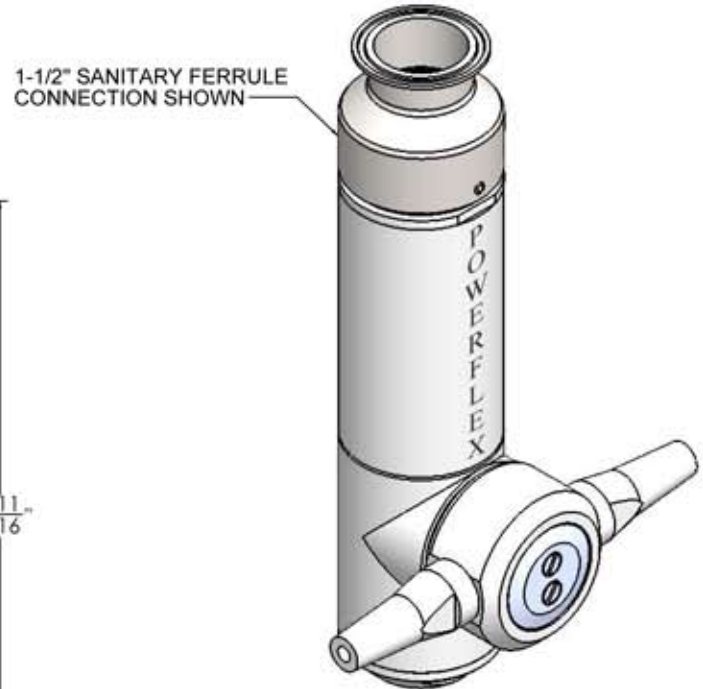


1-1/2" SANITARY CONNECTION
2" CAMLOCK ADAPTER



INSERTION CLEARANCE (IN INCHES)	
Clutch Drive: 3.87"	PIN Drive: 7"



NOTES:

- 316 SS MAIN BODY PARTS, 18-8 SS FASTENERS, PLASTICS & ELASTOMERS
- WEIGHT: 10 lbs
- INLET: 1-1/2" SANITARY INLET(SHOWN) & 2" CAMLOCK ADAPTER/1-1/2" FNPT
- FLOW RANGE: 30-120+ GPM
- PRESSURE: 30-500+ PSI
- MINIMUM FULL WASH CYCLE: 8-15 MINS
- DUAL NOZZLE MACHINE AVAILABLE

THIS DRAWING IS THE PROPERTY OF GMAJET CLEANING SYSTEMS, INC. REPRODUCTIONS AND USE OTHER THAN BORROWER'S AGREEMENT IS PROHIBITED. THIS DOCUMENT SHALL NOT BE LENT OR DISPOSED OF DIRECTLY OR INDIRECTLY NOR USED FOR ANY PURPOSE OTHER THAN THAT WHICH IS SPECIFICALLY FURNISHED.

REVISIONS TABLE			
DRAWN BY	DATE	REV.	DESCRIPTION
SAM	11/10/10	1	INITIAL RELEASE: CUT SHEET

<u>UNLESS OTHERWISE SPECIFIED</u>	
• DIMENSIONS ARE IN INCHES	
• DIMENSIONS REFERENCE THEORETICAL SHARP CORNERS	
• FILLET RAD.: 0.015±0.005	
• TOLERANCES:	
.XX ±0.01	
.XXX ±0.005	
ANGLE ±0.5°	
MATERIAL:	
316 SS	
FINISH (UNLESS OTHERWISE SPECIFIED):	
32 Ra	
SCALE 1:5	

GMAJET CLEANING SYSTEMS, INC.			
604 Jeffers Circle Exton, PA 19341			
NAME		GMAJET POWERFLEX CUT-SHEET	
EQUIPMENT		GMAJET POWER-FLEX	
DRAWN BY	DRAWN DATE	REV	
SAM	11/10/2010	1	
DWG. NO.		SHEET 1 OF 1	
10-1110 POWER-FLEX			